

Product data sheet

Characteristics

ZBRM01

Control station - SPS - empty - 1 hole - dark grey
RAL 7016



Product availability: Stock - Normally stocked in distribution facility

Price*: 80.00 USD



Commercial status

This Product is Obsolete : JAN 23, 2021

This Product is Obsolete

Main

Range of product	Harmony XB5R
Product or component type	Empty handy box
Device short name	ZBRM
Product destination	For XB5R Ø 22 mm control units
Control station application	One function

Complementary

Colour of base of enclosure	Dark grey RAL 7016)
Colour of cover	Dark grey (RAL 7016)
Material	Polycarbonate
Net weight	0.44 Lb(US) (0.2 kg)

Environment

Ambient air temperature for storage	-40...158 °F (-40...70 °C)
Ambient air temperature for operation	-13...131 °F (-25...55 °C)
IP degree of protection	IP65 IEC 60529
IK degree of protection	IK03 EN 50102
Standards	ETSI EN 301 489-1 ETSI EN 300 440-1 ETSI EN 300 440-2 ETSI EN 301 489-3 UL 508 CSA C22.2 No 14 EN/IEC 60947-5-1

Product certifications	C-tick FCC ANATEL RSS BT 2006/95/EC GOST CE SRRC
Directives	2004/108/EC - electromagnetic compatibility 1999/5/EC - R&TTE directive

Ordering and shipping details

Category	22470 - XB5R WIRELESS PUSH BUTTON
Discount Schedule	I
GTIN	03606480334696
Nbr. of units in pkg.	1
Package weight(Lbs)	3.46 Oz (98 g)
Returnability	Yes
Country of origin	FR

Packing Units

Unit Type of Package 1	PCE
Package 1 Height	3.27 In (8.3 cm)
Package 1 width	3.54 In (9 cm)
Package 1 Length	3.66 In (9.3 cm)
Unit Type of Package 2	S03
Number of Units in Package 2	36
Package 2 Weight	8.85 Lb(US) (4.014 kg)
Package 2 Height	11.81 In (30 cm)
Package 2 width	11.81 In (30 cm)
Package 2 Length	15.75 In (40 cm)

Offer Sustainability

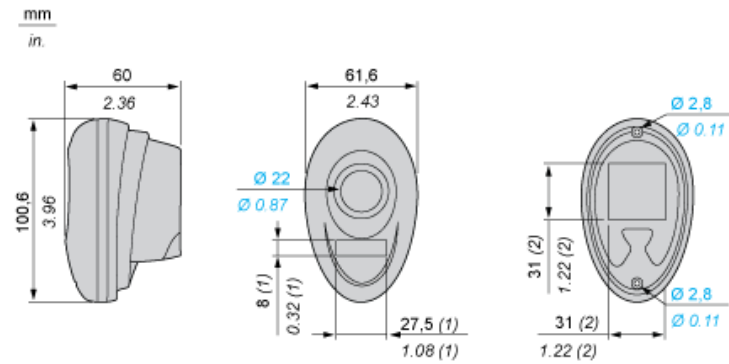
Sustainable offer status	Green Premium product
California proposition 65	WARNING: This product can expose you to chemicals including: Nickel compounds, which is known to the State of California to cause cancer, and Di-isodecyl phthalate (DIDP), which is known to the State of California to cause birth defects or other reproductive harm. For more information go to www.P65Warnings.ca.gov
REACH Regulation	REACH Declaration
EU RoHS Directive	Pro-active compliance (Product out of EU RoHS legal scope) EU RoHS Declaration
Mercury free	Yes
RoHS exemption information	Yes
China RoHS Regulation	China RoHS Declaration
Environmental Disclosure	Product Environmental Profile
Circularity Profile	End Of Life Information

Contractual warranty

Warranty	18 months
----------	-----------

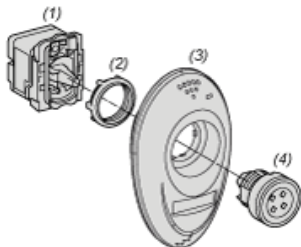
Wireless and Batteryless Pushbutton - Transmitter

Plastic Handy Box for Mobile Use



- (1) Location for ZBY0101T legend.
- (2) Location for magnet to be stuck on by the customer.

Mounting of Empty Mobile Box



- (1): Transmitter
- (2): Fixing nut
- (3): Empty mobile box
- (4): Pushbutton

Product Life Status :	End of commercialisation
-----------------------	--------------------------

ZBRM01 may be replaced by any of the following products:



ZBRM21

Harmony XB5R, Empty handy box for mobile use, plastic, green, 1 cut-out

Qty 1

Substitution date: |